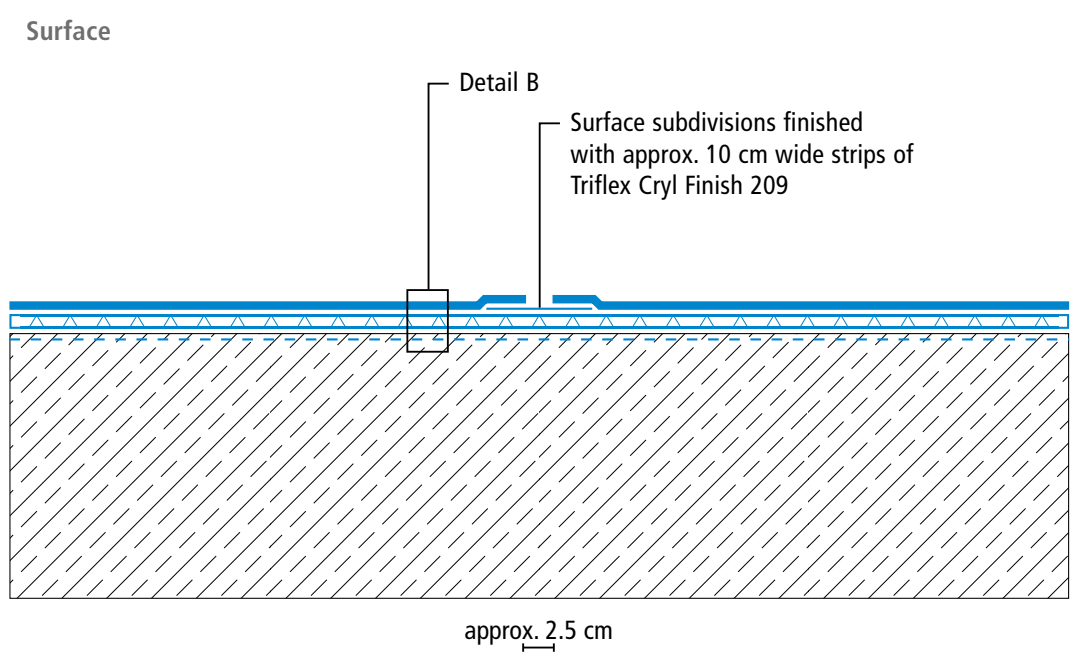
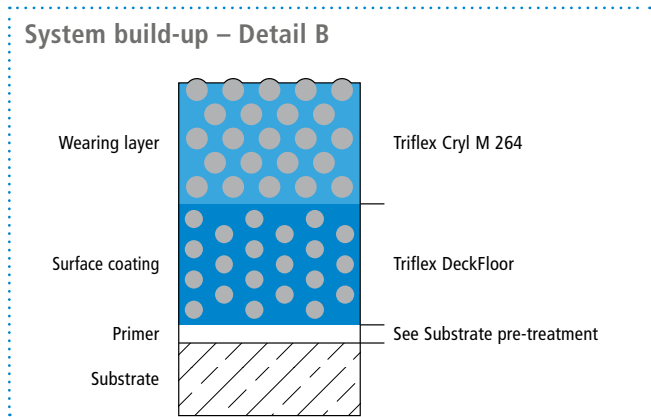
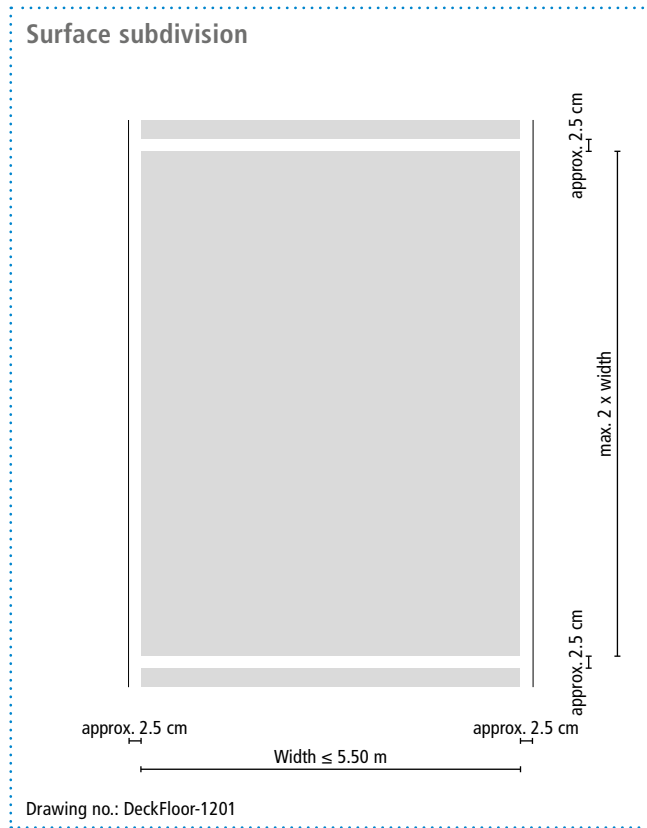


# Triflex DeckFloor Variation 2



## System drawings

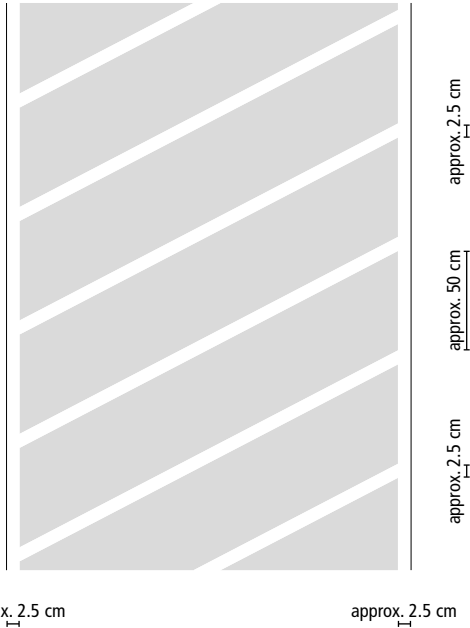




Parking deck coating system (OS 8)

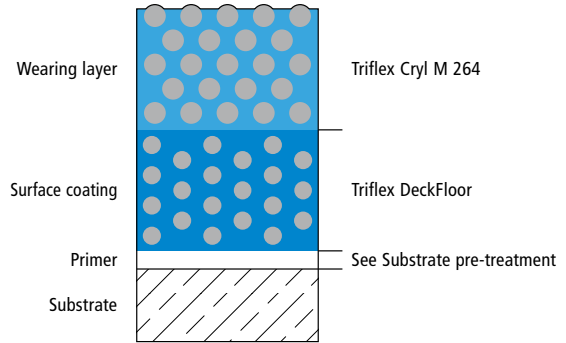
# Triflex DeckFloor Variation 2

## Ramp surface subdivision

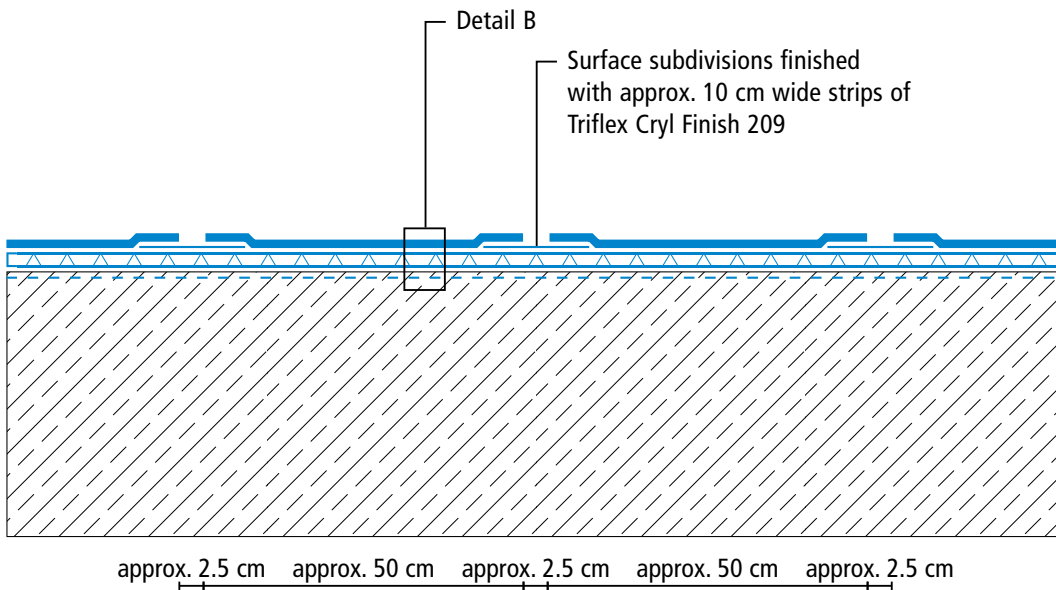


Drawing no.: DeckFloor-1203

## System build-up – Detail B



## Ramp



Drawing no.: DeckFloor-1204



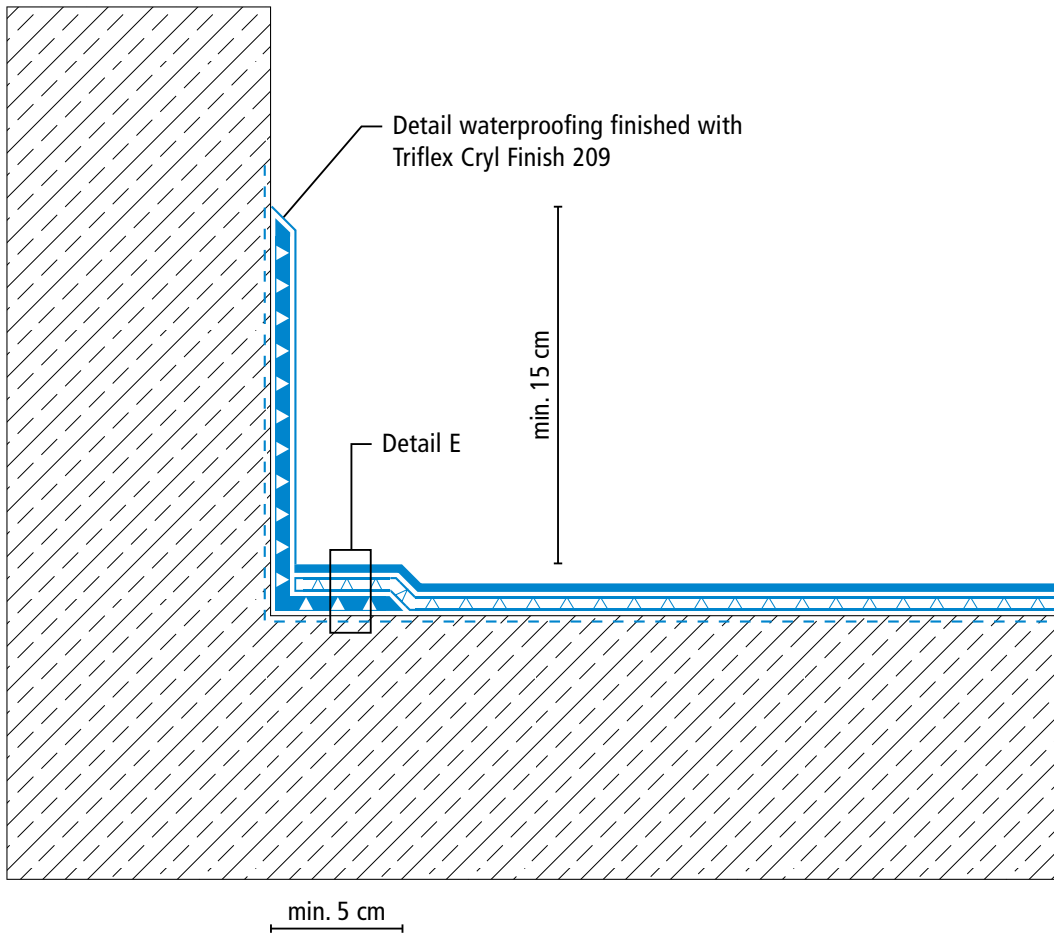
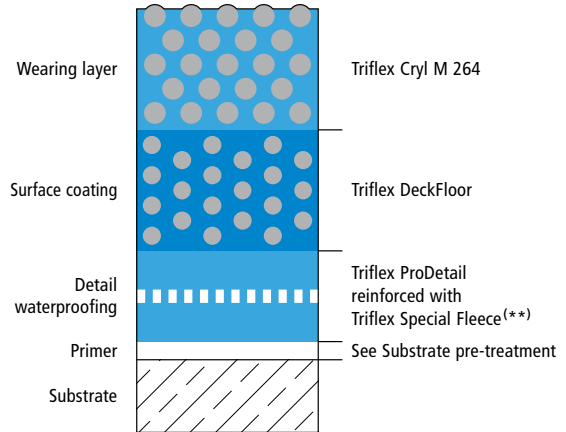
Parking deck coating system (OS 8)

# Triflex DeckFloor Variation 2

## System drawings

### Wall junction

### System build-up – Detail E



(\*\*) Triflex Special Fleece or Triflex Special Fleece PF

Height differences where the fleece overlaps are exaggerated.



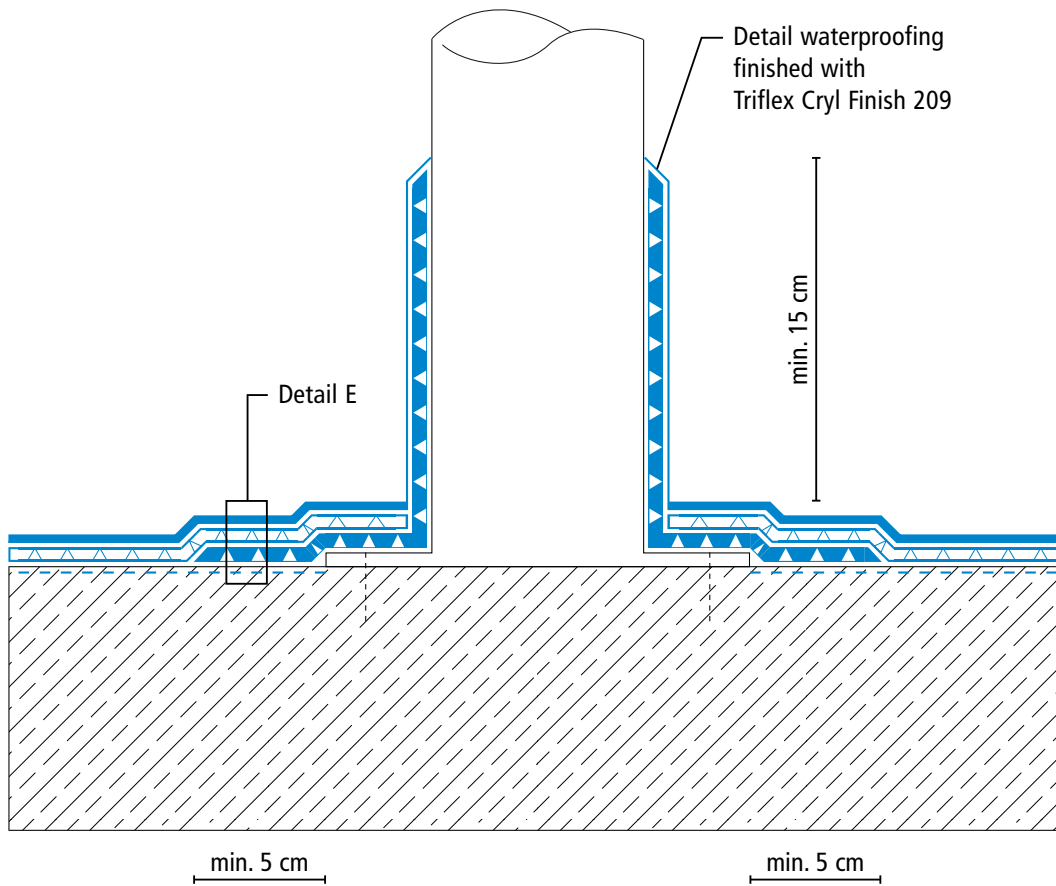
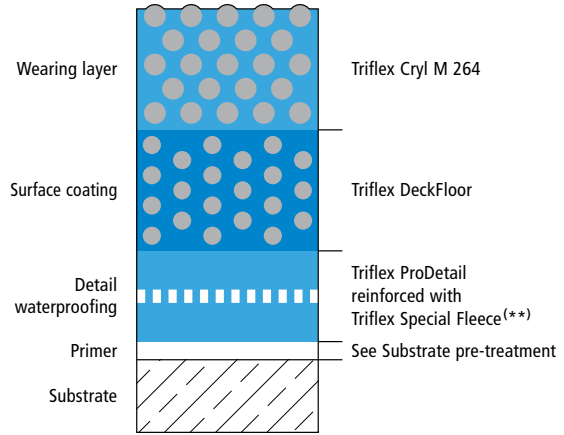
Parking deck coating system (OS 8)

# Triflex DeckFloor Variation 2

## System drawings

### Settlement joint

### System build-up – Detail E



(\*\*) Triflex Special Fleece or Triflex Special Fleece PF

Height differences where the fleece overlaps are exaggerated.

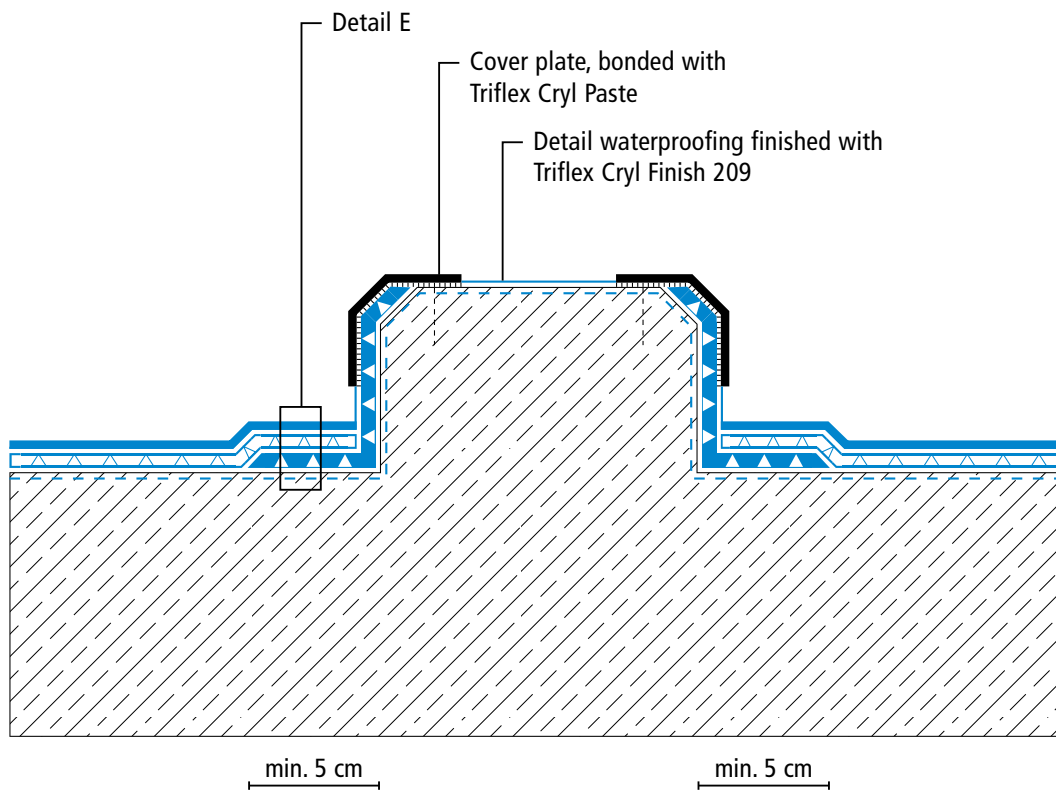
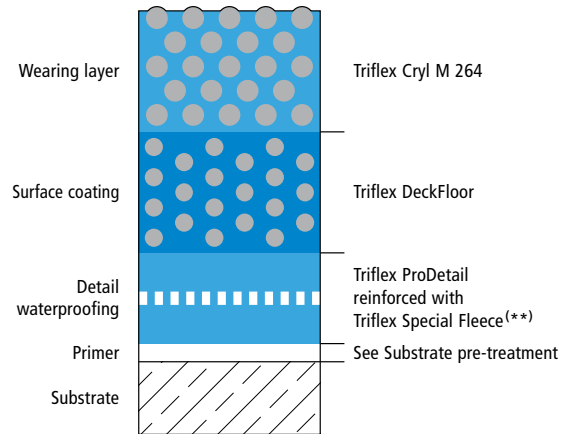


Parking deck coating system (OS 8)

# Triflex DeckFloor Variation 2

Kerb

System build-up – Detail E



(\*\*) Triflex Special Fleece or Triflex Special Fleece PF

Height differences where the fleece overlaps are exaggerated.

Drawing no.: DeckFloor-1207



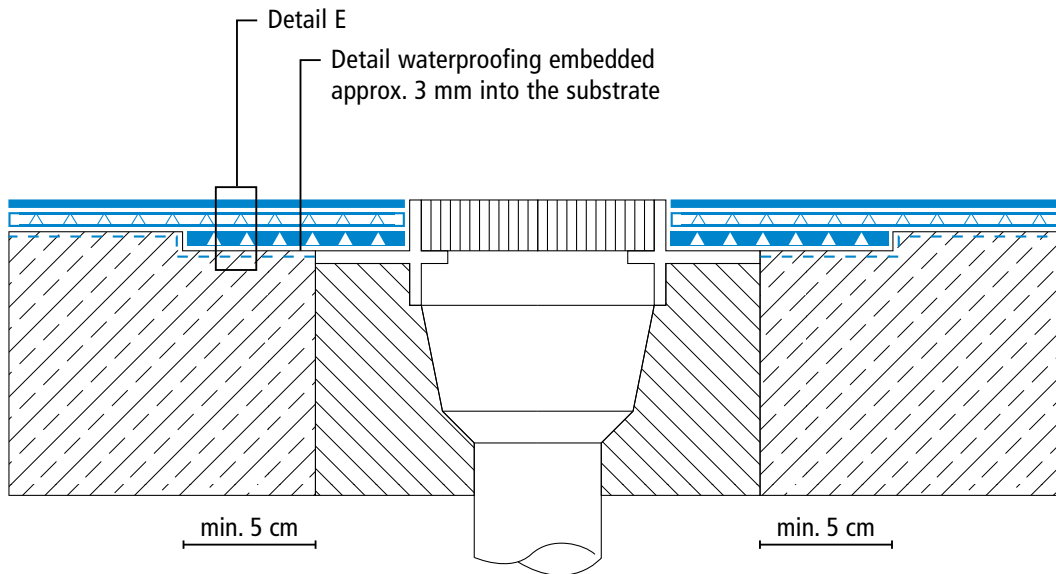
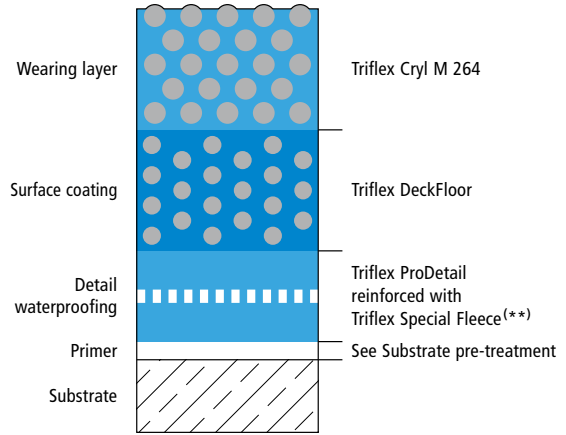
Parking deck coating system (OS 8)

# Triflex DeckFloor Variation 2

## System drawings

Gully/Gutter

System build-up – Detail E



(\*\*) Triflex Special Fleece or Triflex Special Fleece PF  
Height differences where the fleece overlaps are exaggerated.



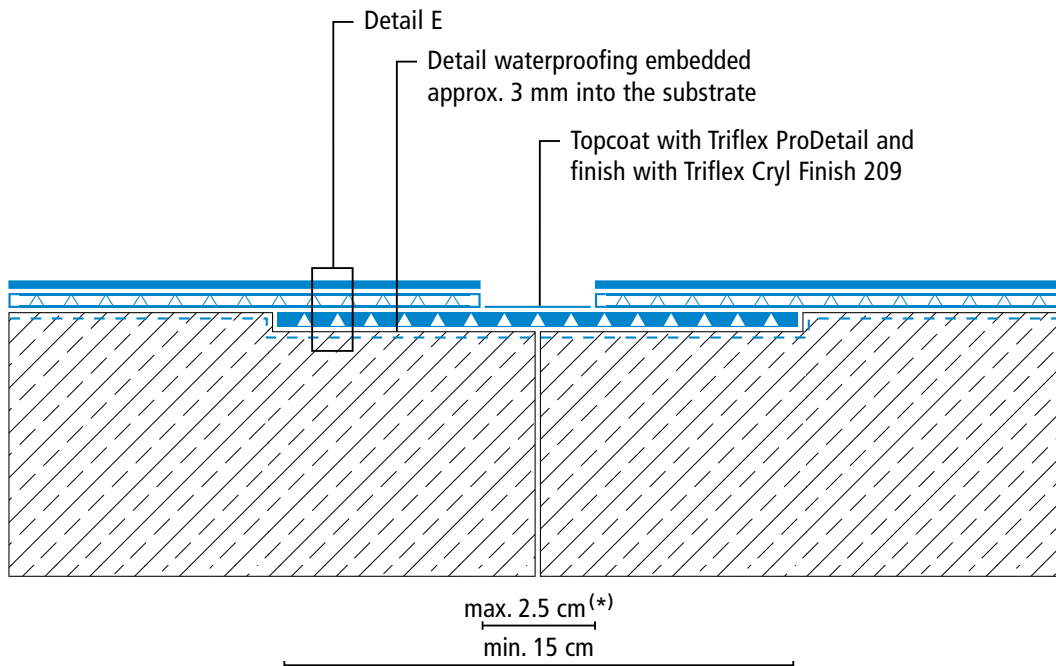
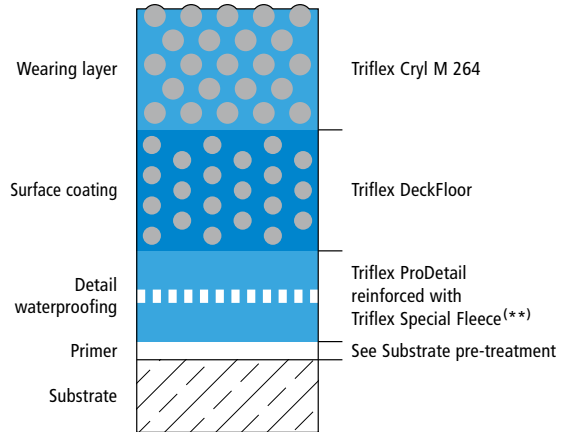
Parking deck coating system (OS 8)

# Triflex DeckFloor Variation 2

## System drawings

### Construction joint

### System build-up – Detail E



(\*) Omission of surface coating and wearing layer (see system description)

(\*\*) Triflex Special Fleece or Triflex Special Fleece PF

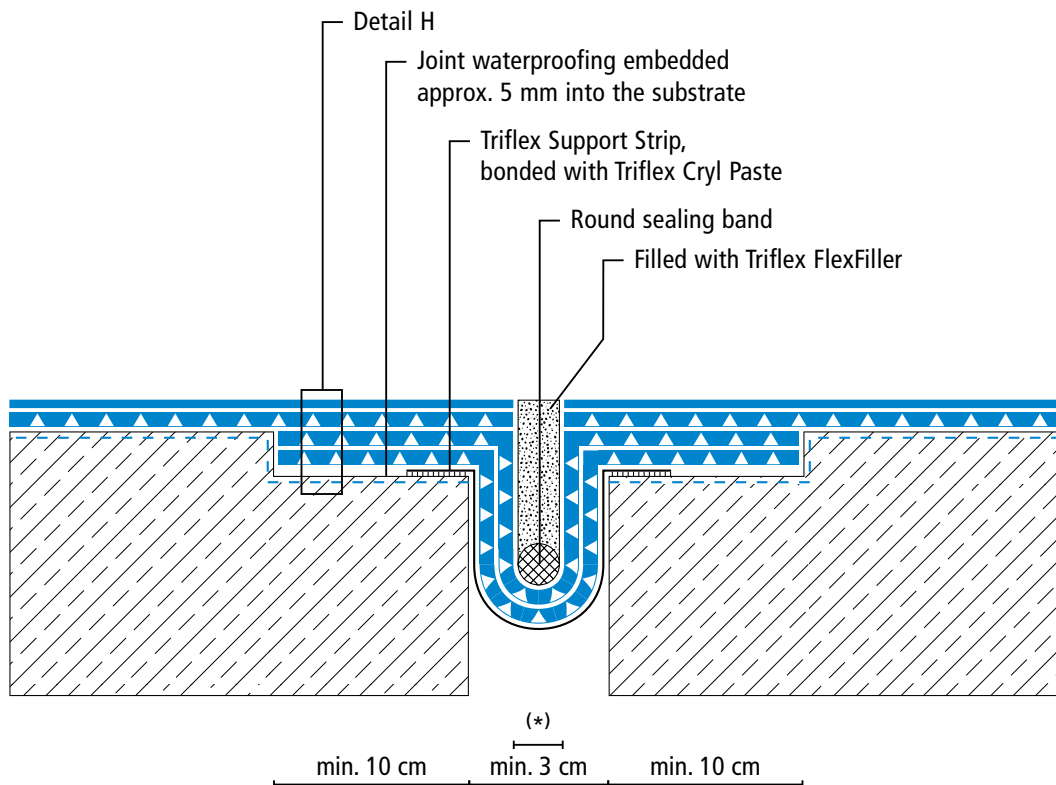
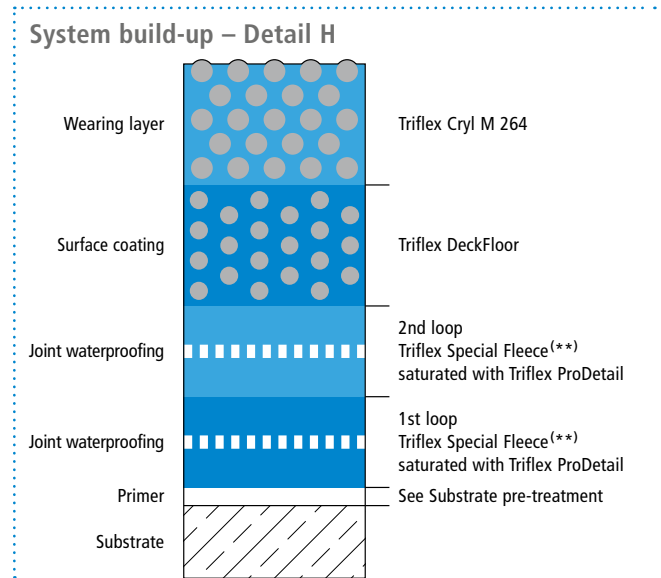
Height differences where the fleece overlaps are exaggerated.

# Triflex DeckFloor Variation 2



## System drawings

Expansion joint surface



(\*) Omission of surface coating and wearing layer (see system description)

(\*\*) Triflex Special Fleece or Triflex Special Fleece PF

Height differences where the fleece overlaps are exaggerated.





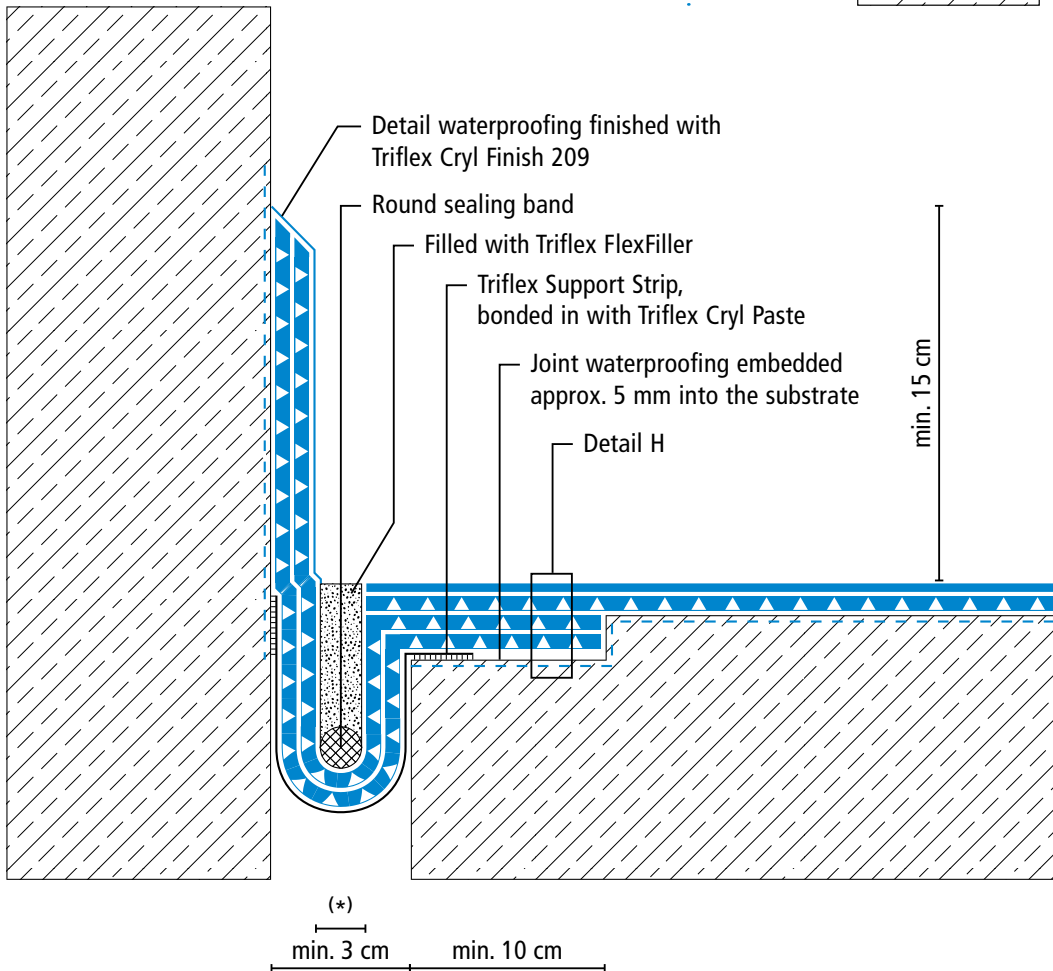
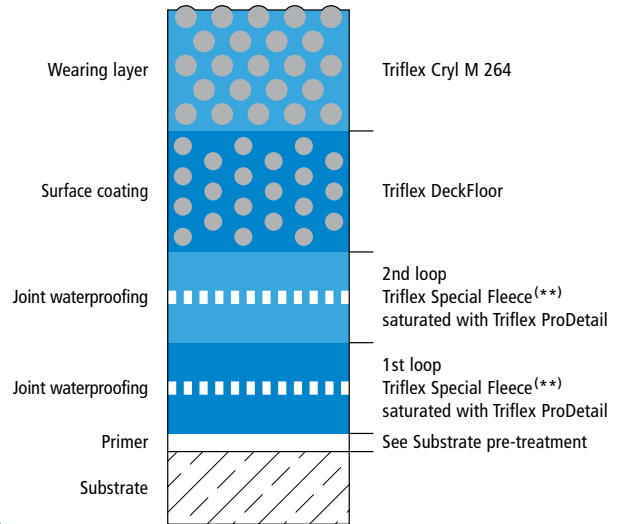
Parking deck coating system (OS 8)

# Triflex DeckFloor Variation 2

## System drawings

Expansion joint – wall junction

### System build-up – Detail H



(\*) Omission of surface coating and wearing layer (see system description)

(\*\*) Triflex Special Fleece or Triflex Special Fleece PF

Height differences where the fleece overlaps are exaggerated.