



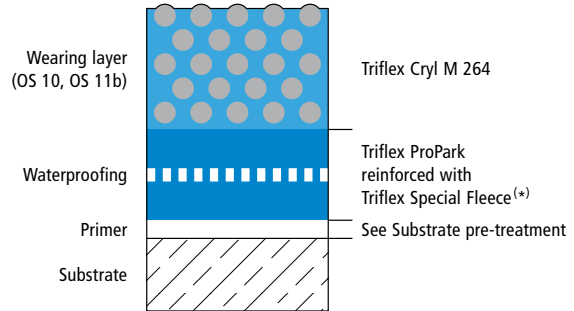
Partial waterproofing system (OS 10, OS 11a/b)

Triflex Crack Dressing Variation 1

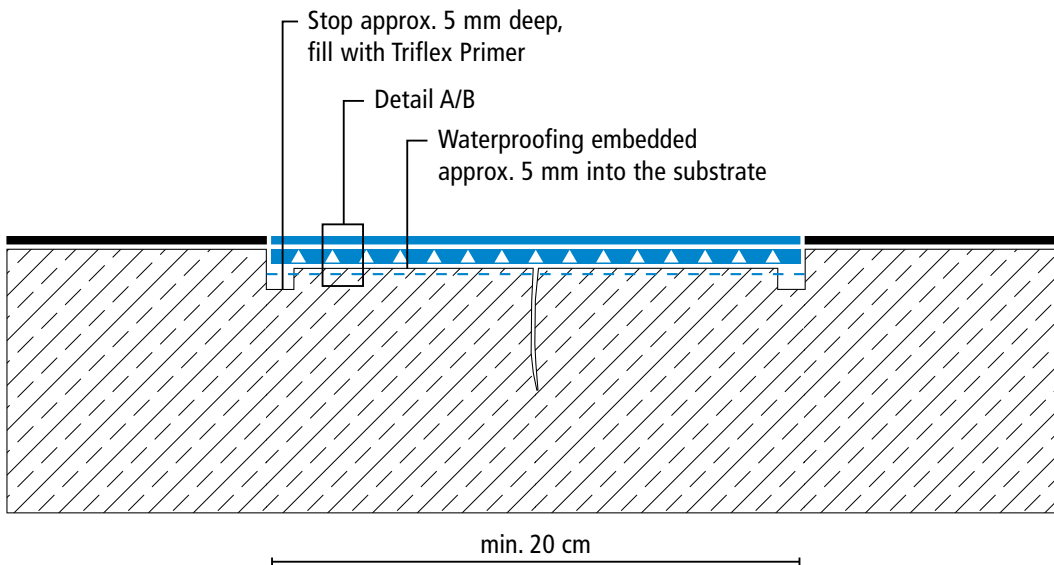
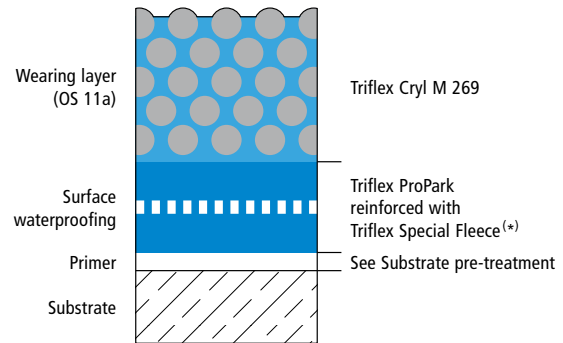
System drawings

Crack Dressing, variation 1

System build-up – Detail A



System build-up – Detail B



(*) Triflex Special Fleece or Triflex Special Fleece PF
Height differences where the fleece overlaps are exaggerated.



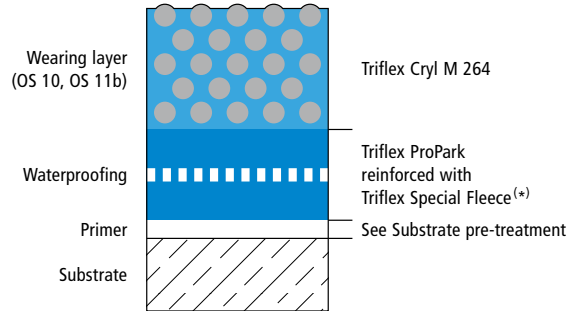
Partial waterproofing system (OS 10, OS 11a/b)

Triflex Crack Dressing Variation 2

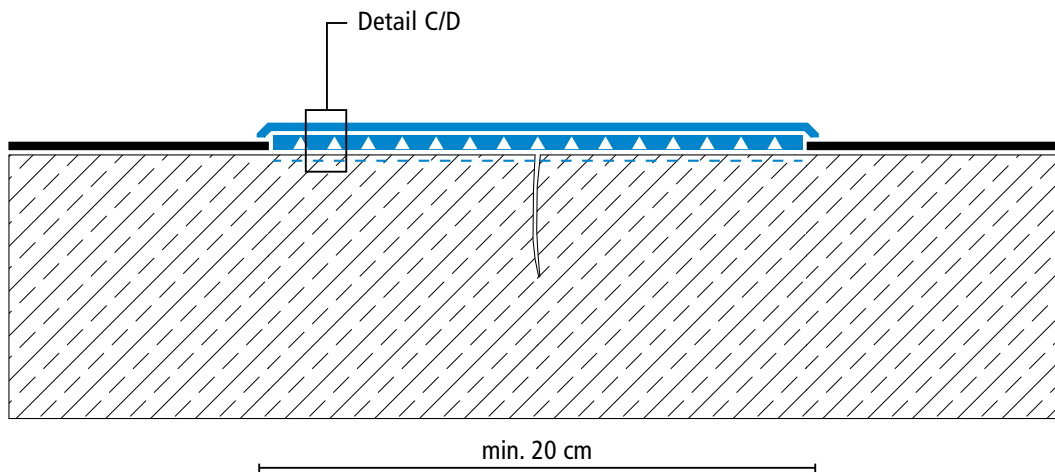
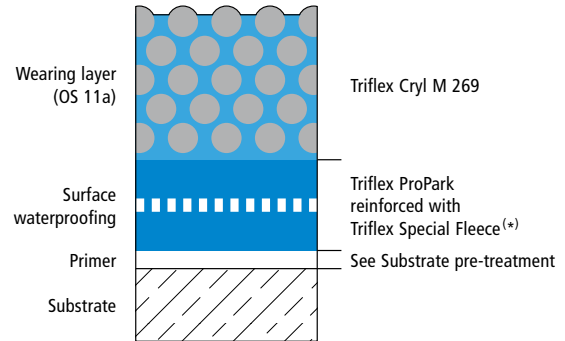
System drawings

Crack Dressing, variation 2

System build-up – Detail C



System build-up – Detail D



(*) Triflex Special Fleece or Triflex Special Fleece PF
Height differences where the fleece overlaps are exaggerated.



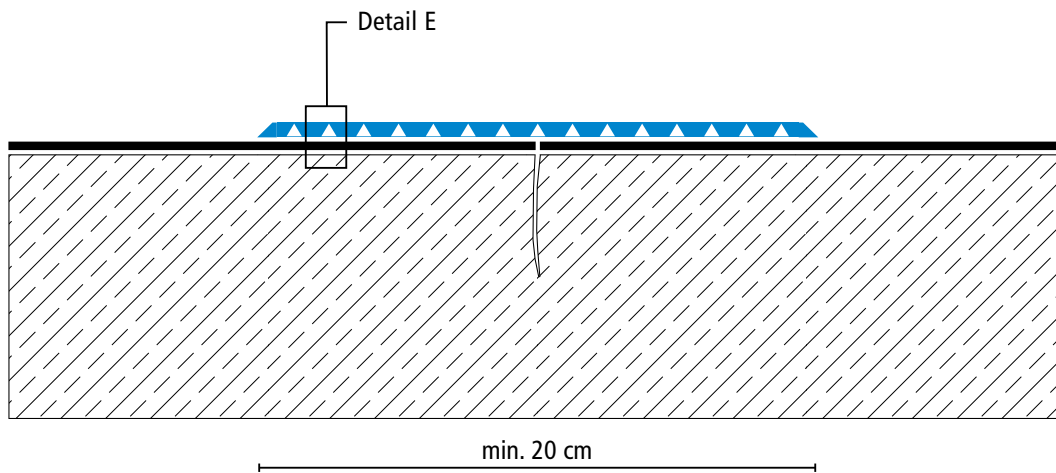
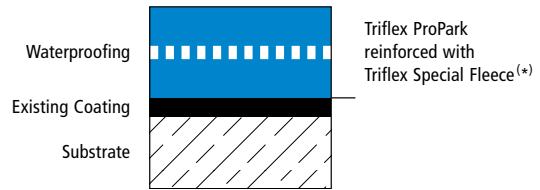
Partial waterproofing system (OS 10, OS 11a/b)

Triflex Crack Dressing Variation 3

System drawings

Crack Dressing, variation 3

System build-up – Detail E



(*) Triflex Special Fleece or Triflex Special Fleece PF
Height differences where the fleece overlaps are exaggerated.