



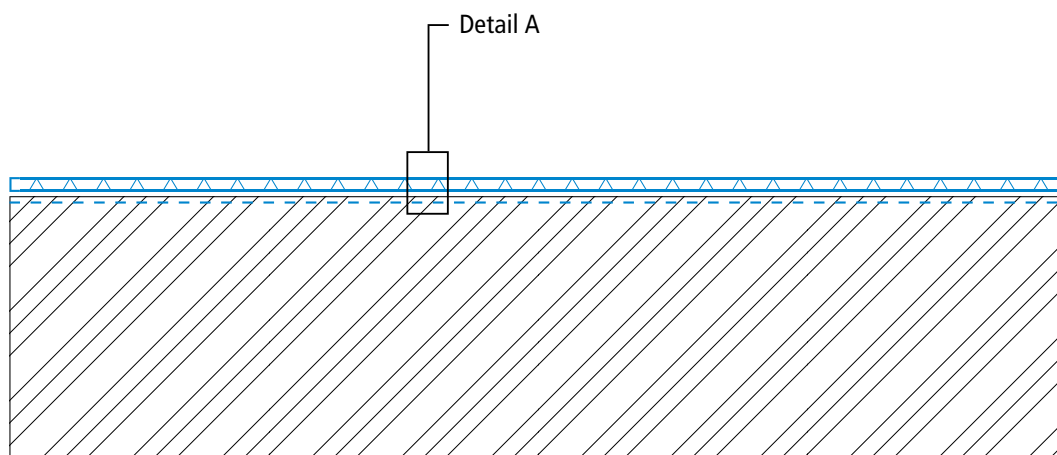
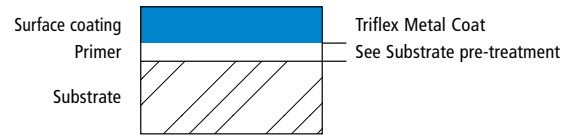
Roof surface coating system

# Triflex Metal Coat

## System drawings

Surface

### System build-up – Detail A



Drawing no.: Metal Coat-3601



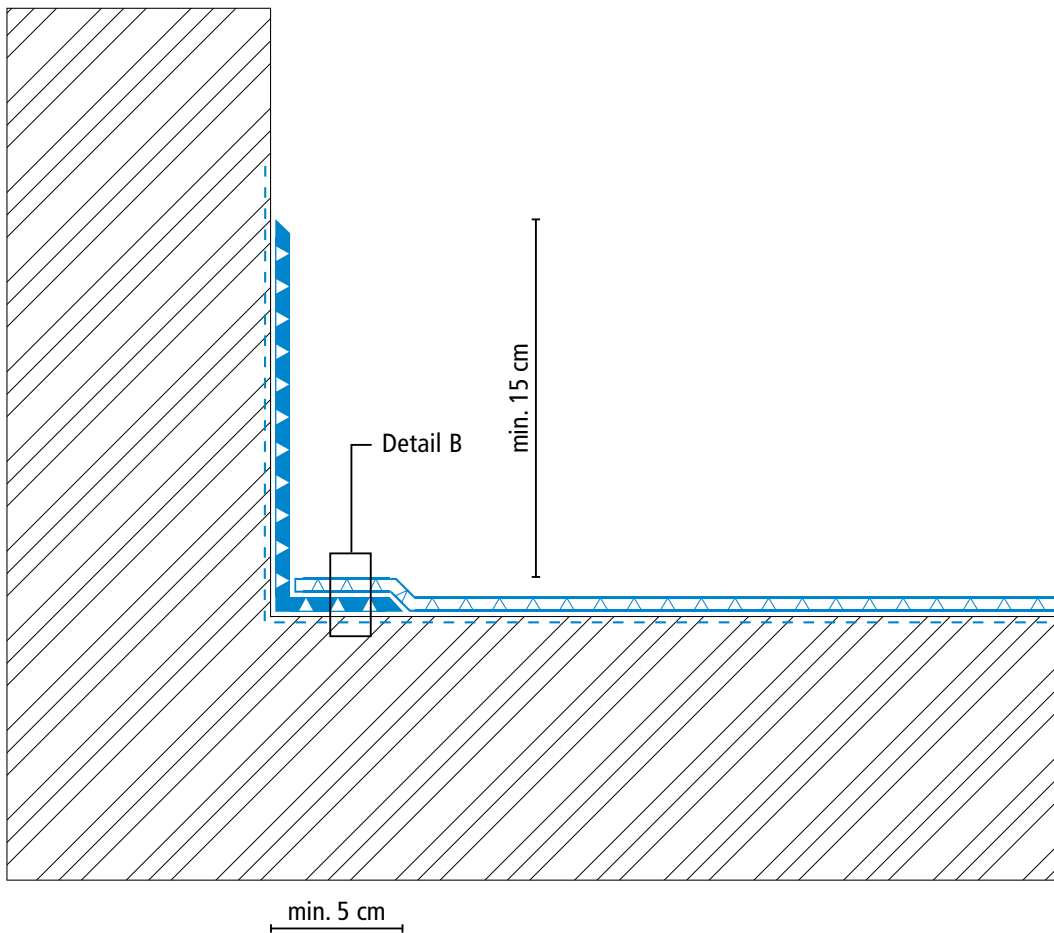
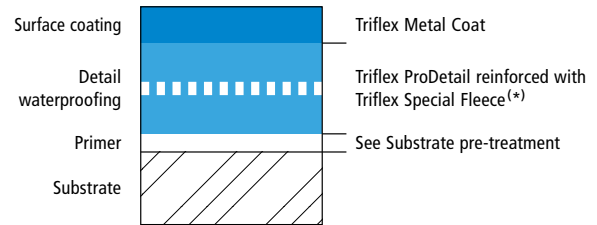
Roof surface coating system

# Triflex Metal Coat

## System drawings

Wall junction

### System build-up – Detail B



Roof surface coating system

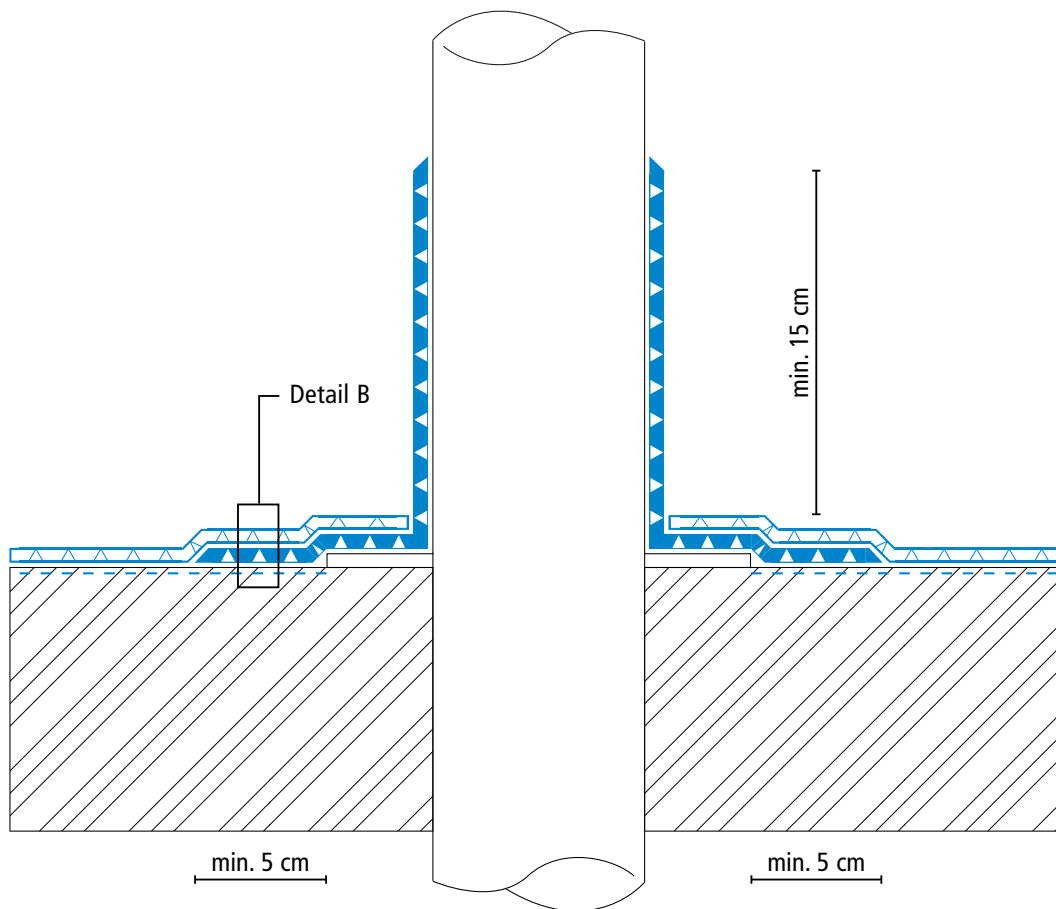
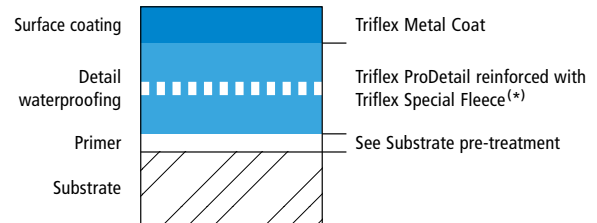
# Triflex Metal Coat



## System drawings

### Penetration

#### System build-up – Detail B



<sup>(\*)</sup> Triflex Special Fleece or Triflex Special Fleece PF  
Height differences where the fleece overlaps are exaggerated.



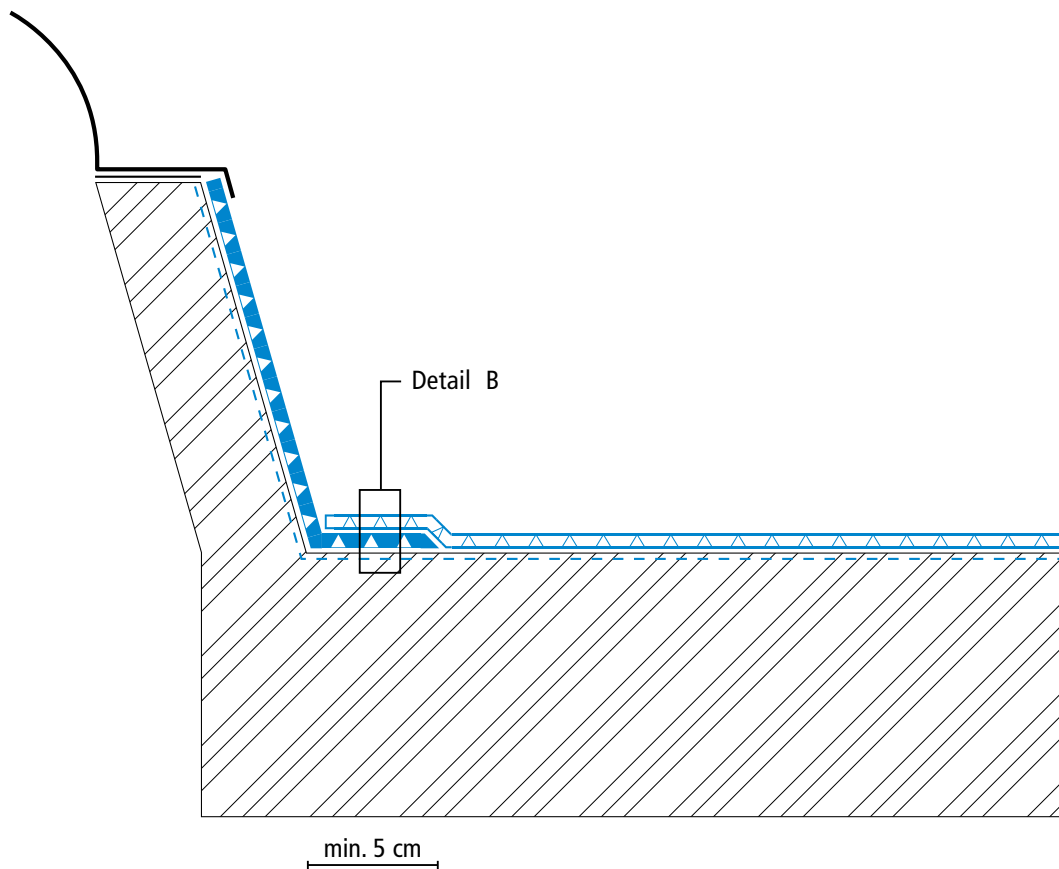
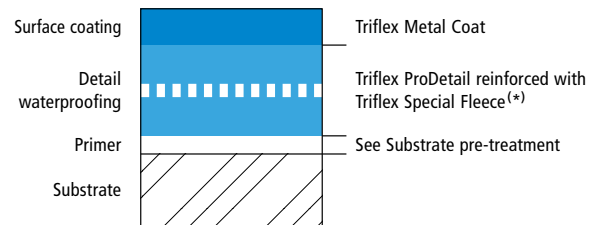
Roof surface coating system

# Triflex Metal Coat

## System drawings

Skylight dome

### System build-up – Detail B



Roof surface coating system

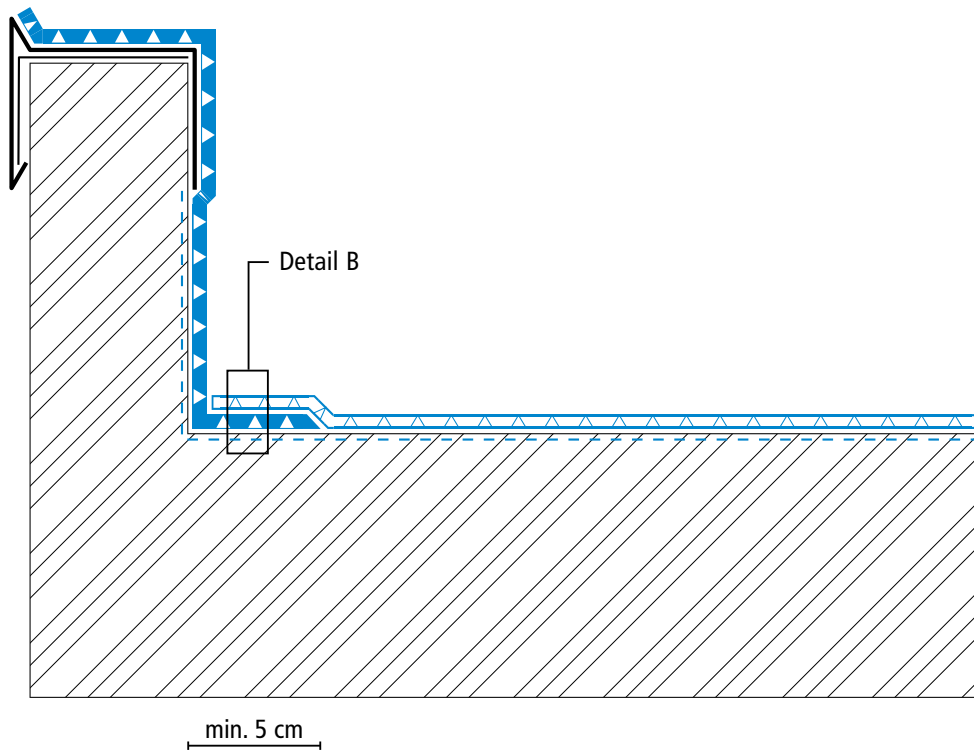
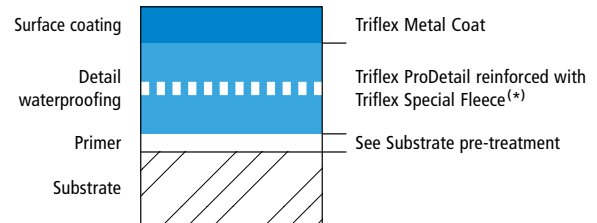
# Triflex Metal Coat



## System drawings

### Roof parapet edge finishing

#### System build-up – Detail B



<sup>(\*)</sup> Triflex Special Fleece or Triflex Special Fleece PF

Height differences where the fleece overlaps are exaggerated.



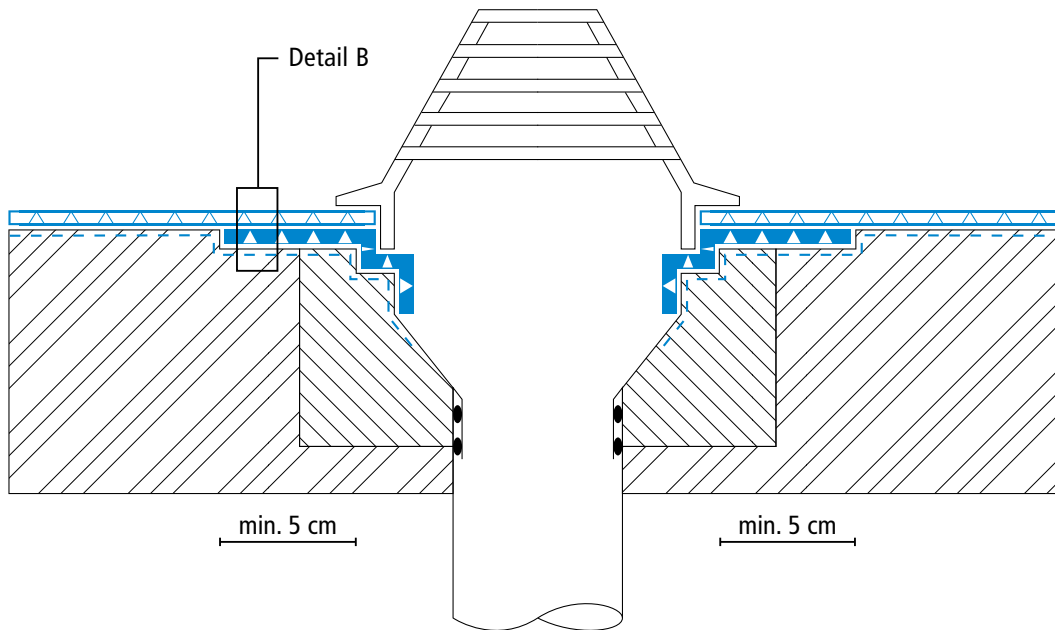
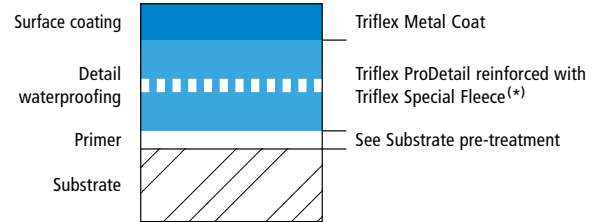
Roof surface coating system

# Triflex Metal Coat

## System drawings

### Gully

#### System build-up – Detail B



<sup>(\*)</sup> Triflex Special Fleece or Triflex Special Fleece PF

Height differences where the fleece overlaps are exaggerated.

Drawing no.: Metal Coat-3606



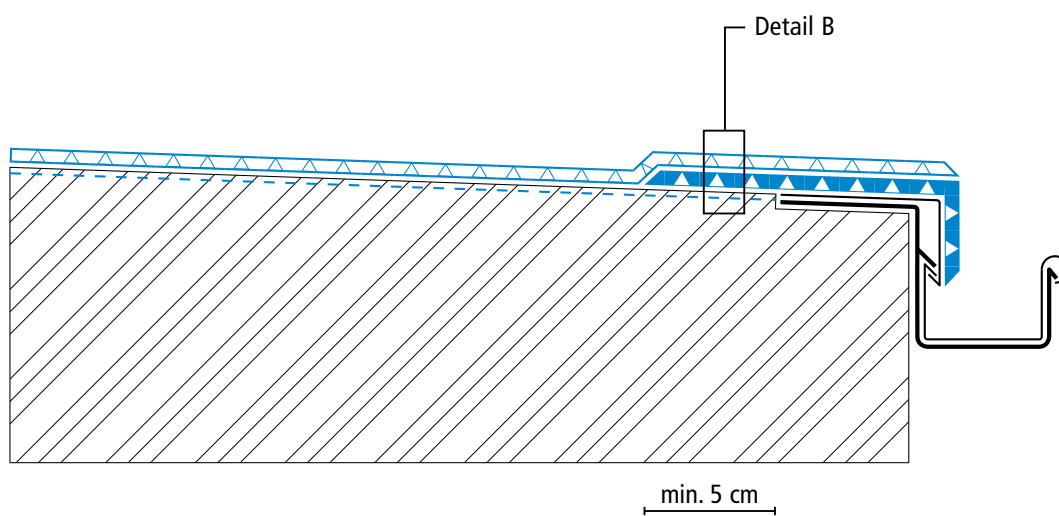
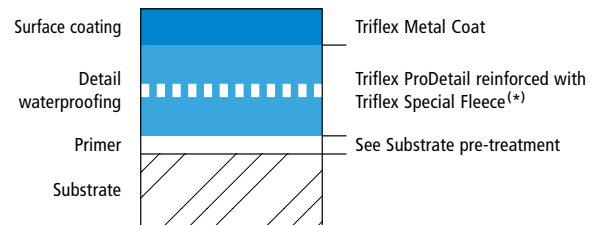
Roof surface coating system

# Triflex Metal Coat

## System drawings

Edge finishing with bracket-mounted gutter

System build-up – Detail B



<sup>(\*)</sup> Triflex Special Fleece or Triflex Special Fleece PF

Height differences where the fleece overlaps are exaggerated.

Drawing no.: Metal Coat-3607

Roof surface coating system

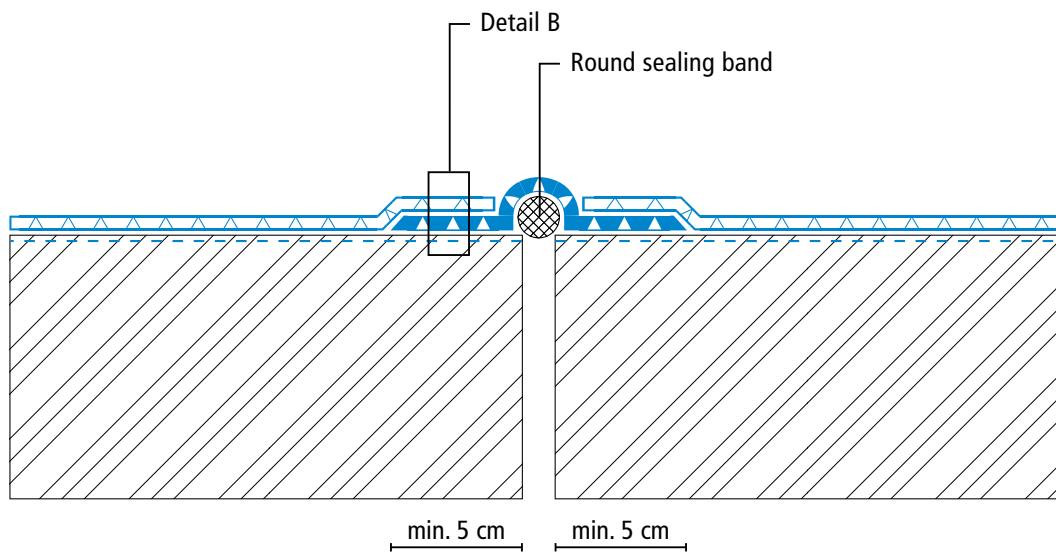
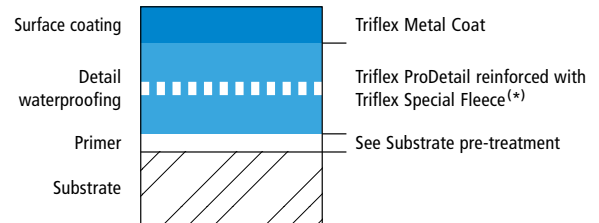
# Triflex Metal Coat



## System drawings

Expansion joint

### System build-up – Detail B



(\*) Triflex Special Fleece or Triflex Special Fleece PF  
Height differences where the fleece overlaps are exaggerated.